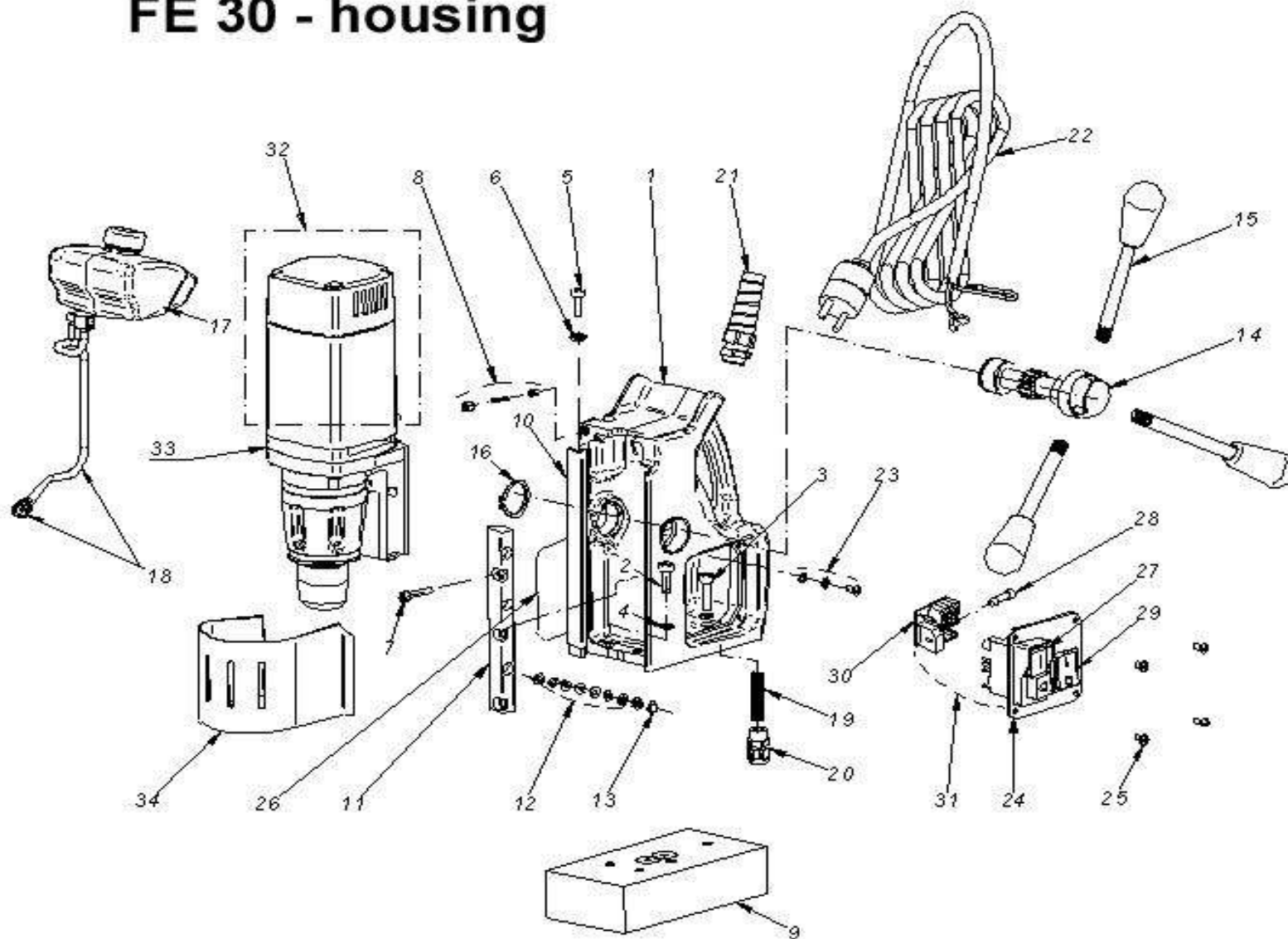


1	6010811 Housing
2	6010011 Screw M6x16
3	6010091 Screw M6x20
4	6010021 Spring washer
5	6010821 Stroke limit screw M5x16
6	6010831 Washer 6,3
7	6010841 Slide adjusting screw M5
8	6010851 Reservoir holder complete
9	6010861 Magnet
10	6010871 Guide strip
11	6010881 Brass guide strip right
12	6010891 Plate spring
13	6010901 Plate
14	6010911 Gear shaft
15	6010921 Arm
16	6010931 Retaining ring gear shaft 28
17	6010941 Coolant reservoir
18	6010951 Hose + quick coupling
19	7010751 Cable protection
20	7010761 Cable screw PG7
21	7010031 Cable screw PG11
22	7010041 Cable+plug 220-240V
22a	7010411 Cable+english plug 220-240V
22b	7010051 Cable 110V (plug at request)
23	7010771 Earthing
24	7011021 Front plate
25	7010081 Screw for front plate M4x6
26	7011031 Rear plate
27	7010801 Motor switch 220-240V
27a	7010931 Motor switch 110V
28	7010131 Fuse 2A, 5x20, 250 V F, DIN 41 661
29	7010141 Magnet switch
30	7010811 Control unit 110V + 230V
32	7010831 Motor electrical part complete 230V
32a	7010841 Motor electrical part complete 110V
33	5001001 Motor 230V
33a	5001101 Motor 110V
34	5011101 Chip guard

# FE 30 - housing



- 1 5010231 Screw 4,8x50
- 2 5012421 Motor cover
- 3 5010021 Screw 4,2x13
- 4 5010041 Washer 16x22x0,5
- 5 5010061 Ball bearing 608 2Z
- 6 5010131 Capacitator
- 7 5010001 Spring bolt
- 8 5010011 Wire spring
- 9 5010141 Carbon brush
- 10 5010151 Field 230V
- 10a 5010161 Field 110V
- 11 5010031 Screw 3,9x60
- 12 5010251 Air guide
- 13 5010271 Circlip 28/1,2
- 14 5010081 Ball bearing 6001 2Z
- 15 5010261 Circlip 10/1
- 16 5010171 Armature 230V
- 16a 5010181 Armature 110V
- 17 5010091 Spindle gear 40T
- 18 5010051 Washer 17x24x0,2
- 19 5010241 Ball bearing 6003 2RS
- 20 5012431 Spindle
- 21 5012441 Gear casing
- 22 5010291 Grooved pin
- 23 5010221 Screw 4,8x40
- 24 5010071 Ball bearing 608
- 25 5010101 Middle gear 34T
- 26 5010121 Pinion shaft 8T
- 27 5010281 Gear plate
- 28 5012451 Motor housing
- 29 5012461 Seal
- 30 5012471 Ball bearing 6004 2Z
- 31 5012481 Gear casing complete
- 32 6010791 Rack
- 33 6010011 Screw M6x16
- 34 6010091 Screw M6x20
- 35 6010161 Lock ring
- 36 6010801 Spring, button, washer
- 37 6010181 Allen screw M8x8
- 38 ZSS200N Coolant nipple

# FE 30 - motor unit

